

*MULTI-POSITION, MULTI-SPEED,
 ECM-BASED AIR HANDLER
 WITH INTERNAL TXV
 1½ TO 5 TONS*



Contents

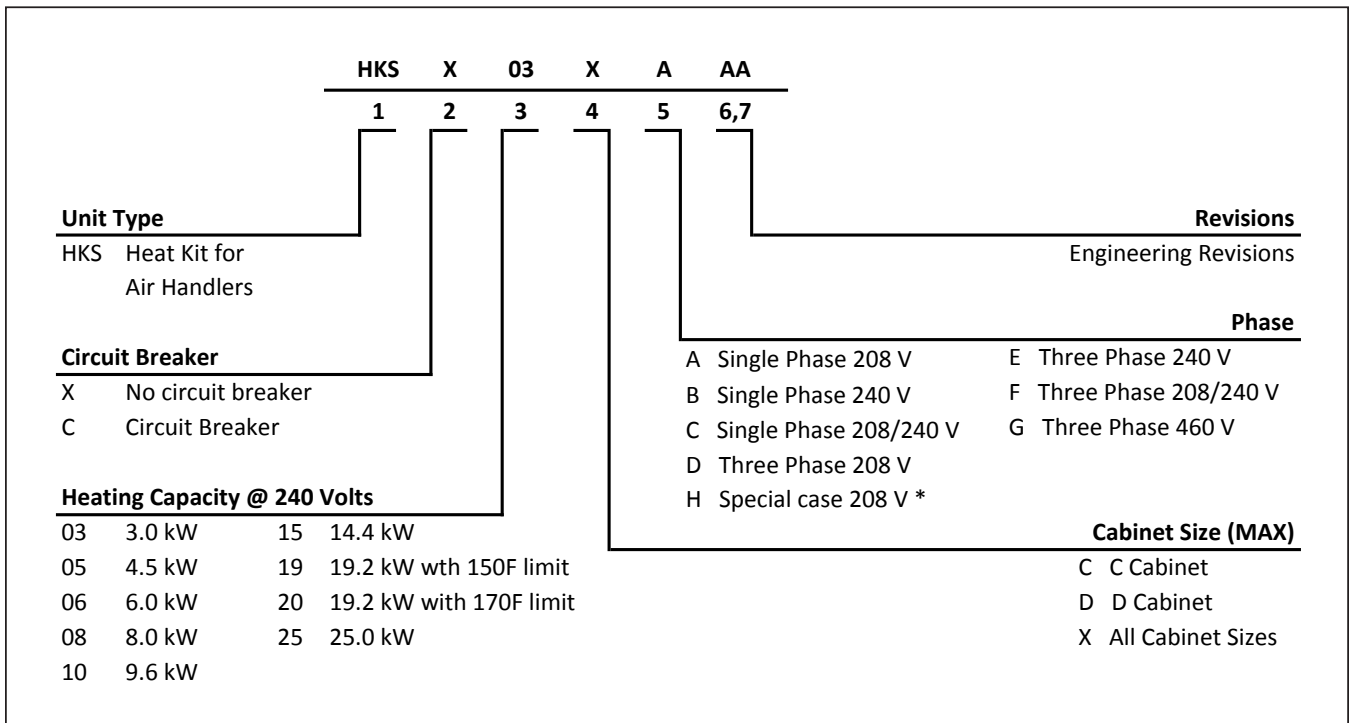
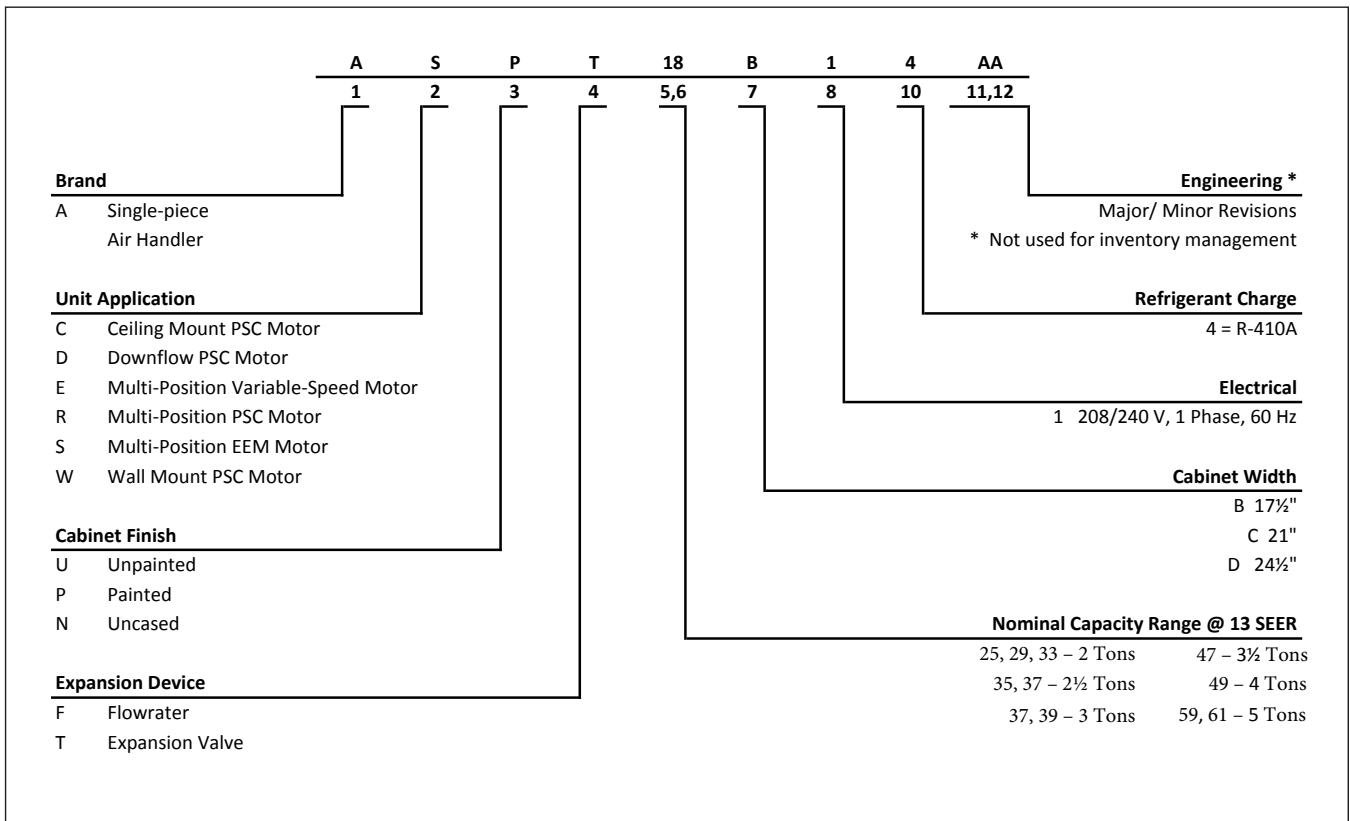
Air Handler Nomenclature..... 2
 Heater Kit Nomenclature 2
 Product Specifications..... 3
 Dimensions 4
 Airflow Data 6
 Heat Kit Data..... 7
 Wiring Diagram..... 9
 Accessories 12

Product Features

- Internal factory-installed thermal expansion valves for cooling and heat pump applications
- Direct drive, multi-speed ECM blower motor
- All-aluminum evaporator coil
- Coil mounting track for quick repositioning
- Optimized for use with R-410A refrigerant
- Cabinet air leakage less than 2.0% at 1.0 inch H₂O when tested in accordance with ASHRAE standard 193
- Cabinet air leakage less than 1.4% at 0.5 inch H₂O when tested in accordance with ASHRAE standard 193
- AHRI certified; ETL listed
- Rigid SmartFrame™ cabinet
- Horizontal or vertical configuration capabilities
- 21" depth for easier attic access
- DecaBDE-free thermoplastic drain pan with secondary drain connections
- Screw-less sides and back helps to reduce condensation when installed in humid locations
- Foil-faced insulation covers the internal casing to reduce cabinet condensation
- Galvanized, leather grain-embossed finish
- Glue-less cabinet insulation retention
- Tool-less filter access
- Field Installed 3 kW – 25 kW electric heater kits available



* Complete warranty details available from your local dealer or at www.amana-hac.com. To receive the 10-Year Parts Limited Warranty, online registration must be completed within 60 days of installation. Online registration is not required in California or Québec.

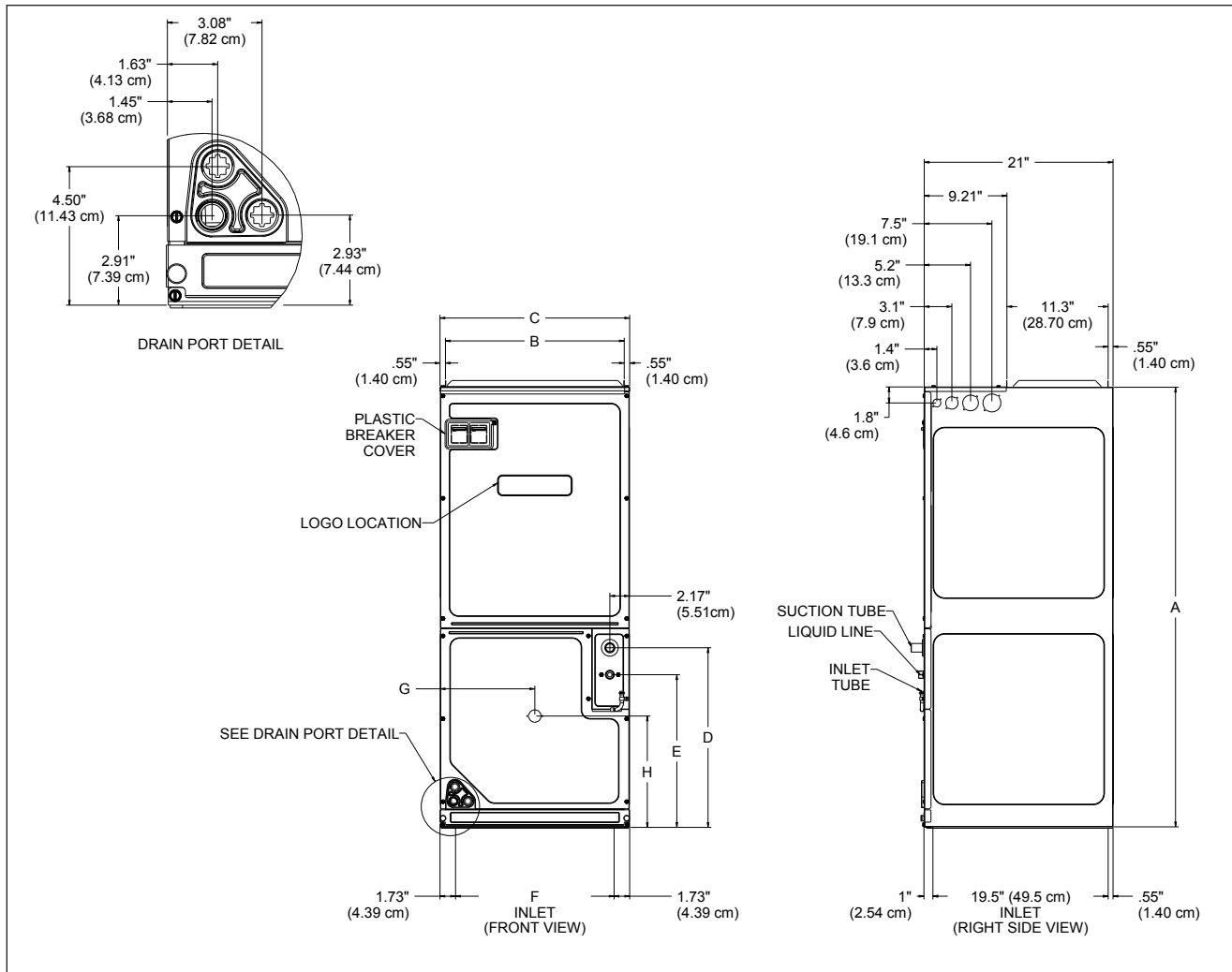


*Refer S&R Plate

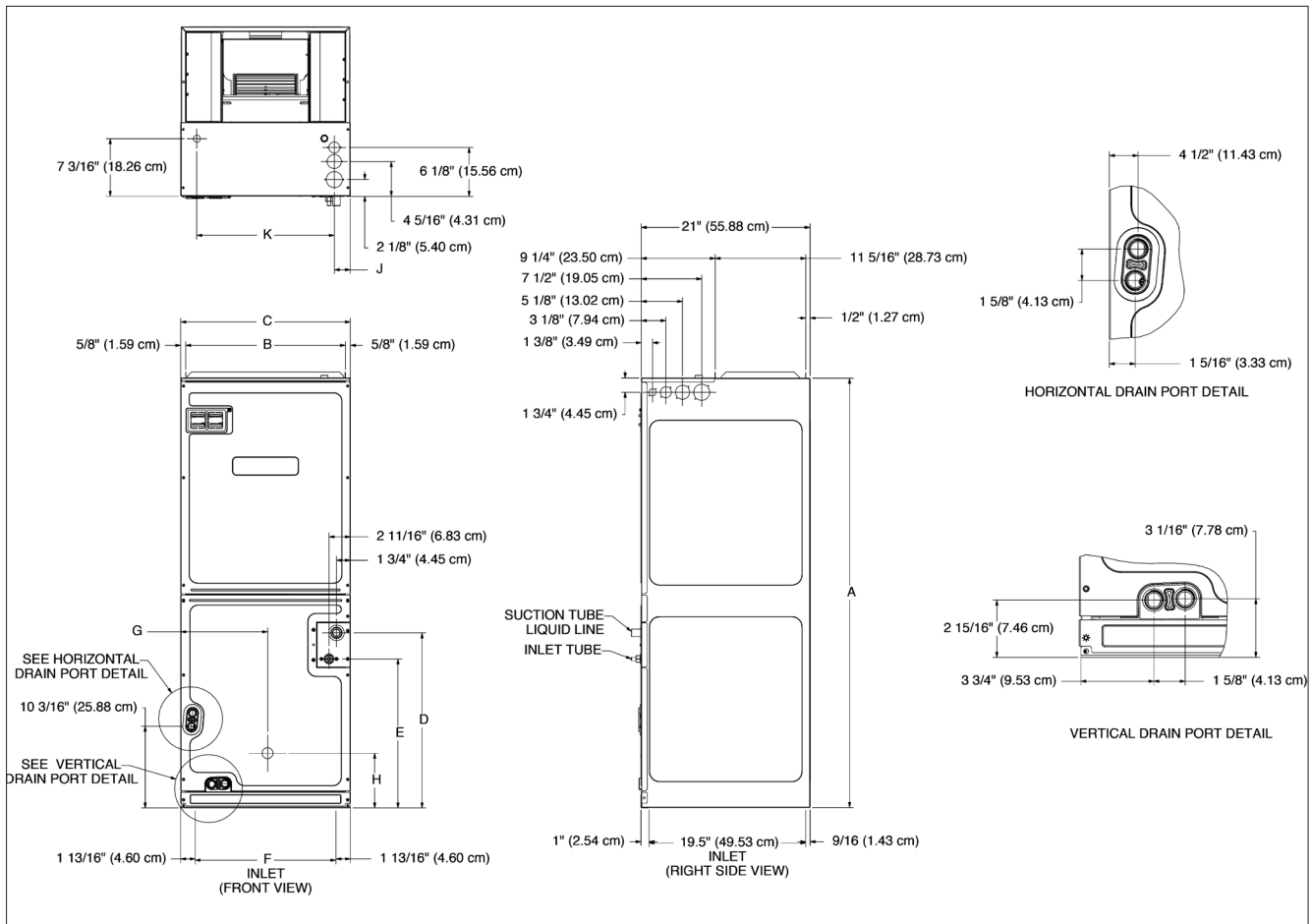
| | ASPT 25B14* | ASPT 29B14* | ASPT 33C14* | ASPT 35B14* | ASPT 37B14* | ASPT 37C14* | ASPT 39C14* | ASPT 47C14* | ASPT 49C14* | ASPT 59C14* | ASPT 47D14* | ASPT 49D14* | ASPT 61D14* |
|--------------------------------|----------------|----------------|----------------|----------------|----------------|----------------|----------------|----------------|----------------|----------------|----------------|----------------|----------------|
| NOMINAL RATINGS | | | | | | | | | | | | | |
| Cooling (Btu/h) | 24,000 | 24,000 | 24,000 | 28,000 | 30,000 | 36,000 | 36,000 | 42,000 | 48,000 | 60,000 | 42,000 | 48,000 | 60,000 |
| BLOWER | | | | | | | | | | | | | |
| Diameter | 9½" | 9½" | 10⅝" | 9½" | 9½" | 10⅝" | 10⅝" | 10⅝" | 10⅝" | 10⅝" | 10⅝" | 11⅝" | 11⅝" |
| Width | 6" | 6" | 8" | 6" | 6" | 8" | 8" | 10⅝" | 8" | 10⅝" | 10⅝" | 10⅝" | 10⅝" |
| COIL CONNECTIONS | | | | | | | | | | | | | |
| Liquid | ⅜" | ⅜" | ⅜" | ⅜" | ⅜" | ⅜" | ⅜" | ⅜" | ⅜" | ⅜" | ⅜" | ⅜" | ⅜" |
| Suction | ¾" | ⅞" | ⅞" | ¾" | ⅞" | ⅞" | ⅞" | ⅞" | ⅞" | ⅞" | ⅞" | ⅞" | ⅞" |
| Coil Drain Connect (FPT) | ¾" | ¾" | ¾" | ¾" | ¾" | ¾" | ¾" | ¾" | ¾" | ¾" | ¾" | ¾" | ¾" |
| ELECTRICAL DATA | | | | | | | | | | | | | |
| Voltage | 208/230 | 208/230 | 208/230 | 208/230 | 208/230 | 208/230 | 208/230 | 208/230 | 208/230 | 208/230 | 208/230 | 208/230 | 208/230 |
| Minimum Circuit Ampacity | 5.8 / 5.8 | 5.8 / 5.8 | 4.9 / 4.9 | 5.6/5.6 | 5.6 / 5.6 | 5.6 / 5.6 | 4.9 / 4.9 | 4.9 / 4.9 | 7.1 / 7.1 | 7.9 / 7.9 | 5.6 / 5.6 | 8.6 / 8.6 | 8.6 / 8.6 |
| Max. Overcurrent Device (Amps) | 15 / 15 | 15 / 15 | 15 / 15 | 15/15 | 15 / 15 | 15 / 15 | 15 / 15 | 15 / 15 | 15 / 15 | 15/15 | 15 / 15 | 15 / 15 | 15 / 15 |
| Minimum VAC | 197 | 197 | 197 | 197 | 197 | 197 | 197 | 197 | 197 | 197 | 197 | 197 | 197 |
| Maximum VAC | 253 | 253 | 253 | 253 | 253 | 253 | 253 | 253 | 253 | 253 | 253 | 253 | 253 |
| Blower Motor | | | | | | | | | | | | | |
| Full Load Amps (FLA) | 4.6 | 4.6 | 3.9 | 4.5 | 4.5 | 4.5 | 3.9 | 3.9 | 5.7 | 6.3 | 4.5 | 6.9 | 6.9 |
| Horsepower (HP) | ¾ | ¾ | ¾ | ¾ | ¾ | ¾ | ¾ | ¾ | ¾ | 1 | ¾ | 1 | 1 |
| SHIP WEIGHT (LBS.) | 116 | 129 | 118 | 129 | 129 | 144 | 118 | 144 | 125 | 144 | 155 | 167 | 167 |

*Airflow rate @.3 static

Note: Assumes dry coil; SCFM correction for wet coil = 4% (208V / 240V)



| MODEL | A" | B" | C" | D" | E" | F" | G" | H" |
|------------|-----|------|-----|---------------------|--------------------|-----|--------------------|------|
| ASPT25B14* | 45 | 16% | 17½ | 15¼ | 12 | 14 | 9 | 12 ¾ |
| ASPT29B14* | 53½ | 16% | 17½ | 23 ⅜ | 20½ | 14 | 9 | 7 ⅞ |
| ASPT33C14* | 49 | 19% | 21 | 17 ^{9/16} | 14% | 17½ | 10 ^{9/16} | 12½ |
| ASPT35B14* | 45 | 16% | 17½ | 15¼ | 12 | 14 | 9 | 12 ¾ |
| ASPT37B14* | 53½ | 16% | 17½ | 23 ⅜ | 20½ | 14 | 9 | 7 ⅞ |
| ASPT37C14* | 53½ | 19% | 21 | 21 ^{13/16} | 18½ | 17½ | 10 ^{7/8} | 6% |
| ASPT39C14* | 49 | 19% | 21 | 17 ^{9/16} | 14% | 17½ | 10 ^{9/16} | 12½ |
| ASPT47C14* | 53½ | 19% | 21 | 21 ^{13/16} | 18% | 17½ | 10 ^{7/8} | 6% |
| ASPT47D14* | 53½ | 23 ⅜ | 24½ | 21½ | 18 ^{5/16} | 21 | 12% | 6% |
| ASPT49C14* | 49 | 19% | 21 | 17 ^{9/16} | 14% | 17½ | 10 ^{9/16} | 12½ |
| ASPT49D14* | 58 | 23 ⅜ | 24½ | 26% | 22% | 21 | 12% | 13 ¼ |
| ASPT59C14* | 53½ | 19% | 21 | 21 ^{13/16} | 18% | 17½ | 10 ^{7/8} | 6% |
| ASPT61D14* | 58 | 23 ⅜ | 24½ | 26% | 22% | 21 | 12% | 13 ¼ |



AIRFLOW DATA

| MODEL | SPEED TAP | STATIC PRESSURE (IN W.C) | | | | | | | | | |
|-----------------|-----------|--------------------------|-------|-------|-------|-------|-------|-------|-------|-------|-----|
| | | 0.1 | 0.2 | 0.3 | 0.4 | 0.5 | 0.6 | 0.7 | 0.8 | 0.9 | 1.0 |
| ASPT 25B14AB | 1 | 640 | 585 | 580 | 545 | 510 | 490 | 410 | 340 | 280 | |
| | 2 | 800 | 765 | 725 | 700 | 670 | 645 | 595 | 565 | 490 | |
| | 3 | 840 | 805 | 800 | 760 | 740 | 700 | 670 | 625 | 580 | |
| | 4 | 985 | 950 | 920 | 885 | 850 | 815 | 800 | 760 | 725 | |
| | 5 | 1,475 | 1,440 | 1,400 | 1,375 | 1,335 | 1,305 | 1,270 | 1,240 | 1,150 | |
| ASPT 29B14AB | 1 | 595 | 590 | 565 | 530 | 505 | 455 | 380 | 305 | 260 | |
| | 2 | 790 | 775 | 745 | 705 | 665 | 625 | 585 | 515 | 445 | |
| | 3 | 865 | 820 | 790 | 770 | 735 | 695 | 645 | 595 | 530 | |
| | 4 | 1,015 | 980 | 955 | 925 | 880 | 840 | 795 | 770 | 720 | |
| | 5 | 1,505 | 1,465 | 1,430 | 1,410 | 1,385 | 1,350 | 1,315 | 1,285 | 1,220 | |
| ASPT 33C14BA | 1 | 865 | 685 | 615 | 540 | 480 | 410 | 335 | 270 | 215 | |
| | 2 | 935 | 875 | 820 | 785 | 720 | 655 | 600 | 550 | 490 | |
| | 3 | 1110 | 1050 | 1000 | 955 | 905 | 855 | 795 | 760 | 710 | |
| | 4 | 1355 | 1310 | 1260 | 1220 | 1180 | 1135 | 1095 | 1055 | 1005 | |
| | 5 | 1560 | 1515 | 1475 | 1430 | 1395 | 1370 | 1330 | 1295 | 1260 | |
| ASPT 35B14AB | 1 | 875 | 845 | 845 | 825 | 795 | 780 | 730 | 680 | 630 | |
| | 2 | 985 | 945 | 925 | 915 | 905 | 880 | 845 | 795 | 760 | |
| | 3 | 1,070 | 1,025 | 990 | 985 | 980 | 960 | 940 | 905 | 860 | |
| | 4 | 1,245 | 1,205 | 1,170 | 1,135 | 1,115 | 1,115 | 1,100 | 1,090 | 1,035 | |
| | 5 | 1,310 | 1,275 | 1,230 | 1,190 | 1,155 | 1,135 | 1,085 | 1,080 | 1,040 | |
| ASPT 37B14AB | 1 | 1,025 | 985 | 945 | 910 | 875 | 830 | 795 | 735 | 690 | |
| | 2 | 1,150 | 1,105 | 1,065 | 1,025 | 995 | 950 | 915 | 870 | 825 | |
| | 3 | 1,240 | 1,200 | 1,160 | 1,120 | 1,085 | 1,050 | 1,010 | 970 | 925 | |
| | 4 | 1,425 | 1,400 | 1,355 | 1,320 | 1,290 | 1,250 | 1,215 | 1,180 | 1,145 | |
| | 5 | 1,490 | 1,455 | 1,415 | 1,390 | 1,355 | 1,320 | 1,285 | 1,250 | 1,205 | |
| ASPT 37C14AC | 1 | 980 | 935 | 895 | 860 | 825 | 800 | 755 | 710 | 665 | |
| | 2 | 1,125 | 1,075 | 1,045 | 1,000 | 965 | 930 | 880 | 845 | 820 | |
| | 3 | 1,235 | 1,190 | 1,155 | 1,120 | 1,085 | 1,045 | 1,005 | 965 | 920 | |
| | 4 | 1,485 | 1,450 | 1,425 | 1,390 | 1,355 | 1,315 | 1,275 | 1,230 | 1,190 | |
| | 5 | 1,565 | 1,535 | 1,510 | 1,480 | 1,240 | 1,390 | 1,365 | 1,320 | 1,280 | |
| ASPT 39C14BA | 1 | 865 | 685 | 615 | 540 | 480 | 410 | 335 | 270 | 215 | |
| | 2 | 935 | 875 | 820 | 785 | 720 | 655 | 600 | 550 | 490 | |
| | 3 | 1110 | 1050 | 1000 | 955 | 905 | 855 | 795 | 760 | 710 | |
| | 4 | 1355 | 1310 | 1260 | 1220 | 1180 | 1135 | 1095 | 1055 | 1005 | |
| | 5 | 1560 | 1515 | 1475 | 1430 | 1395 | 1370 | 1330 | 1295 | 1260 | |
| ASPT 47C14BA | 1 | 955 | 895 | 855 | 840 | 780 | 735 | 675 | 615 | 560 | |
| | 2 | 1,100 | 1,050 | 1,005 | 965 | 925 | 870 | 815 | 770 | 705 | |
| | 3 | 1,205 | 1,160 | 1,120 | 1,075 | 1,035 | 990 | 940 | 885 | 830 | |
| | 4 | 1,445 | 1,410 | 1,365 | 1,320 | 1,275 | 1,235 | 1,190 | 1,140 | 1,095 | |
| | 5 | 1,525 | 1,480 | 1,435 | 1,400 | 1,360 | 1,320 | 1,275 | 1,230 | 1,180 | |
| ASPT 47D14AC | 1 | 1,055 | 1,015 | 950 | 895 | 830 | 785 | 730 | 680 | 620 | |
| | 2 | 1,210 | 1,165 | 1,110 | 1,070 | 1,015 | 960 | 900 | 840 | 785 | |
| | 3 | 1,335 | 1,290 | 1,250 | 1,205 | 1,145 | 1,100 | 1,050 | 980 | 910 | |
| | 4 | 1,625 | 1,580 | 1,530 | 1,495 | 1,455 | 1,405 | 1,350 | 1,295 | 1,230 | |
| | 5 | 1,720 | 1,670 | 1,625 | 1,580 | 1,540 | 1,490 | 1,435 | 1,390 | 1,325 | |
| ASPT 49C14AC | 1 | 1325 | 1280 | 1240 | 1200 | 1160 | 1115 | 1065 | 1025 | 985 | |
| | 2 | 1465 | 1420 | 1380 | 1355 | 1315 | 1280 | 1240 | 1195 | 1155 | |
| | 3 | 1505 | 1465 | 1425 | 1390 | 1355 | 1330 | 1290 | 1245 | 1205 | |
| | 4 | 1600 | 1565 | 1530 | 1490 | 1460 | 1425 | 1385 | 1365 | 1290 | |
| | 5 | 1690 | 1660 | 1625 | 1585 | 1555 | 1520 | 1485 | 1400 | 1250 | |
| ASPT 49D14AC | 1 | 1,485 | 1,435 | 1,380 | 1,320 | 1,265 | 1,200 | 1,230 | 1,015 | 930 | |
| | 2 | 1,570 | 1,525 | 1,480 | 1,430 | 1,370 | 1,315 | 1,235 | 1,155 | 1,035 | |
| | 3 | 1,680 | 1,600 | 1,570 | 1,555 | 1,475 | 1,430 | 1,360 | 1,280 | 1,185 | |
| | 4 | 1,800 | 1,765 | 1,715 | 1,670 | 1,625 | 1,590 | 1,510 | 1,465 | 1,390 | |
| | 5 | 2,215 | 2,160 | 2,120 | 2,085 | 2,040 | 2,000 | 1,970 | 1,930 | 1,865 | |

See notes on page 7.

| MODEL | SPEED TAP | STATIC PRESSURE (IN W.C) | | | | | | | | | |
|-----------------|-----------|--------------------------|-------|-------|-------|-------|-------|-------|-------|-------|-----|
| | | 0.1 | 0.2 | 0.3 | 0.4 | 0.5 | 0.6 | 0.7 | 0.8 | 0.9 | 1.0 |
| ASPT 59C14AC | 1 | 1,370 | 1,330 | 1,295 | 1,255 | 1,215 | 1,180 | 1,140 | 1,100 | 1,060 | |
| | 2 | 1,535 | 1,500 | 1,465 | 1,430 | 1,405 | 1,370 | 1,335 | 1,300 | 1,210 | |
| | 3 | 1,680 | 1,645 | 1,615 | 1,575 | 1,545 | 1,510 | 1,440 | 1,330 | 1,205 | |
| | 4 | 1,905 | 1,855 | 1,780 | 1,690 | 1,605 | 1,515 | 1,425 | 1,330 | 1,205 | |
| | 5 | 1,940 | 1,855 | 1,775 | 1,700 | 1,605 | 1,505 | 1,420 | 1,320 | 1,205 | |
| ASPT 61D14AC | 1 | 1,545 | 1,495 | 1,440 | 1,390 | 1,335 | 1,260 | 1,180 | 1,080 | 1,030 | |
| | 2 | 1,745 | 1,695 | 1,625 | 1,575 | 1,525 | 1,475 | 1,400 | 1,360 | 1,275 | |
| | 3 | 1,905 | 1,855 | 1,815 | 1,770 | 1,725 | 1,670 | 1,635 | 1,575 | 1,500 | |
| | 4 | 2,155 | 2,105 | 2,090 | 2,045 | 2,000 | 1,970 | 1,935 | 1,890 | 1,830 | |
| | 5 | 2,340 | 2,310 | 2,265 | 2,220 | 2,185 | 2,165 | 2,120 | 2,080 | 2,030 | |

NOTES

- The chart is for information only. For satisfactory operation, external static pressure must not exceed value shown on rating plate.
- Use the CFM adjustment factors of .98 for horizontal left, .95 for horizontal right & .96 for downflow orientations.
- Assumes dry coil with filter in place.
- All models are shipped from the factory with the speed tap set on T4.
- Assumes dry coil; SCFM correction for wet coil = 4%
- All ASPT models are shipped from the factory with the speed tap set on T4.

HEAT KIT DATA

| HEATER KIT MODEL | | CIRCUIT 1 | | | CIRCUIT 2 | | | SINGLE-POINT KIT | |
|-------------------------------|------------|-------------|------------------|------------------|-------------|------------------|------------------|------------------|------------------|
| | | HEATER AMPS | MCA ¹ | MOP ² | HEATER AMPS | MCA ¹ | MOP ² | MCA ¹ | MOP ² |
| ASPT25B14AB | | 0/0 | 5.8/5.8 | 15/15 | --- | --- | --- | --- | --- |
| HKSX03XC- 208 V | No Breaker | 10.8 | 19 | 20 | --- | --- | --- | --- | --- |
| HKSX05XC- 208 V | | 17.3 | 27 | 30 | --- | --- | --- | --- | --- |
| HKSX06XC- 208 V | | 21.6 | 33 | 35 | --- | --- | --- | --- | --- |
| HKSX08XC- 208 V | | 28.8 | 42 | 45 | --- | --- | --- | --- | --- |
| HKSX10XC- 208 V | | 34.6 | 49 | 50 | --- | --- | --- | --- | --- |
| HKSC05XC- 208 V | Breaker | 17.3 | 27 | 30 | --- | --- | --- | --- | --- |
| HKSC08XC- 208 V | | 28.8 | 42 | 45 | --- | --- | --- | --- | --- |
| HKSC10XC- 208 V | | 34.6 | 49 | 50 | --- | --- | --- | --- | --- |
| HKSX03XC- 240 V | No Breaker | 12.5 | 21 | 25 | --- | --- | --- | --- | --- |
| HKSX05XC- 240 V | | 20.0 | 31 | 35 | --- | --- | --- | --- | --- |
| HKSX06XC- 240 V | | 25 | 37 | 40 | --- | --- | --- | --- | --- |
| HKSX08XC- 240 V | | 33.3 | 47 | 50 | --- | --- | --- | --- | --- |
| HKSX10XC- 240 V | | 40.0 | 56 | 60 | --- | --- | --- | --- | --- |
| HKSC05XC- 240 V | Breaker | 20.0 | 31 | 35 | --- | --- | --- | --- | --- |
| HKSC08XC- 240 V | | 33.3 | 47 | 50 | --- | --- | --- | --- | --- |
| HKSC10XC- 240 V | | 40.0 | 56 | 60 | --- | --- | --- | --- | --- |
| ASPT29B14AB | | 0/0 | 5.8/5.8 | 15/15 | --- | --- | --- | --- | --- |
| HKSX03XC- 208 V | No Breaker | 10.8 | 19 | 20 | --- | --- | --- | --- | --- |
| HKSX05XC- 208 V | | 17.3 | 27 | 30 | --- | --- | --- | --- | --- |
| HKSX06XC- 208 V | | 21.7 | 33 | 35 | --- | --- | --- | --- | --- |
| HKSX08XC- 208 V | | 28.9 | 42 | 45 | --- | --- | --- | --- | --- |
| HKSX10XC- 208 V | | 34.7 | 49 | 50 | --- | --- | --- | --- | --- |
| HKSC05XC- 208 V | Breaker | 17.3 | 27 | 30 | --- | --- | --- | --- | --- |
| HKSC08XC- 208 V | | 28.9 | 42 | 45 | --- | --- | --- | --- | --- |
| HKSC10XC- 208 V | | 34.7 | 49 | 50 | --- | --- | --- | --- | --- |
| HKSC15XA- 208 V | | 34.7 | 49 | 50 | 17.3 | 22 | 25 | 71 | 80 |
| HKSX03XC- 240 V | No Breaker | 12.5 | 21 | 25 | --- | --- | --- | --- | --- |
| HKSX05XC- 240 V | | 20 | 31 | 35 | --- | --- | --- | --- | --- |
| HKSX06XC- 240 V | | 25 | 37 | 40 | --- | --- | --- | --- | --- |
| HKSX08XC- 240 V | | 33.3 | 47 | 50 | --- | --- | --- | --- | --- |
| HKSX10XC- 240 V | | 40 | 56 | 60 | --- | --- | --- | --- | --- |
| HKSC05XC- 240 V | Breaker | 20 | 31 | 35 | --- | --- | --- | --- | --- |
| HKSC08XC- 240 V | | 33.3 | 47 | 50 | --- | --- | --- | --- | --- |
| HKSC10XC- 240 V | | 40 | 56 | 60 | --- | --- | --- | --- | --- |
| HKSC15XB- 240 V | | 40 | 56 | 60 | 20 | 25 | 25 | 81 | 90 |
| ASPT33C14BA | | 0/0 | 4.9/4.9 | 15/15 | --- | --- | --- | --- | --- |
| HKSX03XC- 208 V | No Breaker | 10.8 | 18.4 | 20 | --- | --- | --- | --- | --- |
| HKSX05XC- 208 V | | 17.3 | 27 | 30 | --- | --- | --- | --- | --- |
| HKSX06XC- 208 V | | 21.7 | 32 | 35 | --- | --- | --- | --- | --- |
| HKSX08XC- 208 V | | 28.9 | 41 | 45 | --- | --- | --- | --- | --- |
| HKSX10XC- 208 V | | 34.7 | 48 | 50 | --- | --- | --- | --- | --- |
| HKSC05XC- 208 V | Breaker | 17.3 | 27 | 30 | --- | --- | --- | --- | --- |
| HKSC08XC- 208 V | | 28.9 | 41 | 45 | --- | --- | --- | --- | --- |
| HKSC10XC- 208 V | | 34.7 | 48 | 50 | --- | --- | --- | --- | --- |
| HKSC15XB ³ - 208 V | | 34.7 | 48 | 50 | 17.3 | 21.7 | 25 | 69.9 | 70 |

See notes on page 14.

| HEATER KIT MODEL | | CIRCUIT 1 | | | CIRCUIT 2 | | | SINGLE-POINT KIT | |
|--------------------|------------|-------------|------------------|------------------|-------------|------------------|------------------|------------------|------------------|
| | | HEATER AMPS | MCA ¹ | MOP ² | HEATER AMPS | MCA ¹ | MOP ² | MCA ¹ | MOP ² |
| HKSX03XC- 240 V | No Breaker | 12.5 | 21 | 25 | --- | --- | --- | --- | --- |
| HKSX05XC- 240 V | | 20 | 29.9 | 30 | --- | --- | --- | --- | --- |
| HKSX06XC- 240 V | | 25 | 36.1 | 40 | --- | --- | --- | --- | --- |
| HKSX08XC- 240 V | | 33.3 | 46.5 | 50 | --- | --- | --- | --- | --- |
| HKSX10XC- 240 V | | 40 | 54.9 | 60 | --- | --- | --- | --- | --- |
| HKSC05XC- 240 V | Breaker | 20 | 29.9 | 30 | --- | --- | --- | --- | --- |
| HKSC08XC- 240 V | | 33.3 | 46.5 | 50 | --- | --- | --- | --- | --- |
| HKSC10XC- 240 V | | 40 | 54.9 | 60 | --- | --- | --- | --- | --- |
| HKSC15XB- 240 V | | 40 | 54.9 | 60 | 20 | 25 | 25 | 79.9 | 80 |
| ASPT35B14AB | | 0/0 | 5.6/5.6 | 15/15 | --- | --- | --- | --- | --- |
| HKSX03XC- 208 V | No Breaker | 10.8 | 19 | 20 | --- | --- | --- | --- | --- |
| HKSX05XC- 208 V | | 17.3 | 27 | 30 | --- | --- | --- | --- | --- |
| HKSX06XC- 208 V | | 21.7 | 33 | 35 | --- | --- | --- | --- | --- |
| HKSX08XC- 208 V | | 28.9 | 42 | 45 | --- | --- | --- | --- | --- |
| HKSX10XC- 208 V | | 34.7 | 49 | 50 | --- | --- | --- | --- | --- |
| HKSX15XC- 208 V | | 34.7 | 49 | 50 | --- | --- | --- | --- | --- |
| HKSC05XC- 208 V | Breaker | 17.3 | 27 | 30 | --- | --- | --- | --- | --- |
| HKSC08XC- 208 V | | 28.9 | 42 | 45 | --- | --- | --- | --- | --- |
| HKSC10XC- 208 V | | 34.7 | 49 | 50 | --- | --- | --- | --- | --- |
| HKSC15XC- 208 V | | 34.7 | 49 | 50 | 17.3 | 22 | 25 | 71 | 80 |
| HKSX03XC- 240 V | No Breaker | 12.5 | 21 | 25 | --- | --- | --- | --- | --- |
| HKSX05XC- 240 V | | 20.0 | 31 | 35 | --- | --- | --- | --- | --- |
| HKSX06XC- 240 V | | 25 | 37 | 40 | --- | --- | --- | --- | --- |
| HKSX08XC- 240 V | | 33.3 | 47 | 50 | --- | --- | --- | --- | --- |
| HKSX10XC- 240 V | | 40.0 | 56 | 60 | --- | --- | --- | --- | --- |
| HKSX15XC- 240 V | | 40 | 56 | 60 | --- | --- | --- | --- | --- |
| HKSC05XC- 240 V | | Breaker | 20.0 | 31 | 35 | --- | --- | --- | --- |
| HKSC08XC- 240 V | 33.3 | | 47 | 50 | --- | --- | --- | --- | --- |
| HKSC10XC- 240 V | 40.0 | | 56 | 60 | --- | --- | --- | --- | --- |
| HKSC15XC- 240 V | 40.0 | | 56 | 60 | 20 | 25 | 25 | 81 | 90 |
| ASPT37B14AB | | 0/0 | 5.6/5.6 | 15/15 | --- | --- | --- | --- | --- |
| HKSX03XC- 208 V | No Breaker | 10.8 | 19 | 20 | --- | --- | --- | --- | --- |
| HKSX05XC- 208 V | | 17.3 | 27 | 30 | --- | --- | --- | --- | --- |
| HKSX06XC- 208 V | | 21.7 | 33 | 35 | --- | --- | --- | --- | --- |
| HKSX08XC- 208 V | | 28.9 | 42 | 45 | --- | --- | --- | --- | --- |
| HKSX10XC- 208 V | | 34.7 | 49 | 50 | --- | --- | --- | --- | --- |
| HKSC05XC- 208 V | Breaker | 17.3 | 27 | 30 | --- | --- | --- | --- | --- |
| HKSC08XC- 208 V | | 28.9 | 42 | 45 | --- | --- | --- | --- | --- |
| HKSC10XC- 208 V | | 34.7 | 49 | 50 | --- | --- | --- | --- | --- |
| HKSC15XA- 208 V | | 34.7 | 49 | 50 | 17.3 | 22 | 25 | 71 | 80 |
| HKSX03XC- 240 V | No Breaker | 12.5 | 21 | 25 | --- | --- | --- | --- | --- |
| HKSX05XC- 240 V | | 20 | 31 | 35 | --- | --- | --- | --- | --- |
| HKSX06XC- 240 V | | 25 | 37 | 40 | --- | --- | --- | --- | --- |
| HKSX08XC- 240 V | | 33.3 | 47 | 50 | --- | --- | --- | --- | --- |
| HKSX10XC- 240 V | | 40 | 56 | 60 | --- | --- | --- | --- | --- |

See notes on page 14.

HEAT KIT DATA (CONT.)

| HEATER KIT MODEL | | CIRCUIT 1 | | | CIRCUIT 2 | | | SINGLE-POINT KIT | |
|-------------------------------|------------|-------------|------------------|------------------|-------------|------------------|------------------|------------------|------------------|
| | | HEATER AMPS | MCA ¹ | MOP ² | HEATER AMPS | MCA ¹ | MOP ² | MCA ¹ | MOP ² |
| HKSC05XC- 240 V | Breaker | 20 | 31 | 35 | --- | --- | --- | --- | --- |
| HKSC08XC- 240 V | | 33.3 | 47 | 50 | --- | --- | --- | --- | --- |
| HKSC10XC- 240 V | | 40 | 56 | 60 | --- | --- | --- | --- | --- |
| HKSC15XB- 240 V | | 40 | 56 | 60 | 20 | 25 | 25 | 81 | 90 |
| ASPT37C14BA | | 0/0 | 5.6/5.6 | 15/15 | --- | --- | --- | --- | --- |
| HKSX03XC- 208 V | No Breaker | 10.8 | 19 | 20 | --- | --- | --- | --- | --- |
| HKSX05XC- 208 V | | 17.3 | 27 | 30 | --- | --- | --- | --- | --- |
| HKSX06XC- 208 V | | 21.7 | 33 | 35 | --- | --- | --- | --- | --- |
| HKSX08XC- 208 V | | 28.9 | 42 | 45 | --- | --- | --- | --- | --- |
| HKSX10XC- 208 V | | 34.7 | 49 | 50 | --- | --- | --- | --- | --- |
| HKSC05XC- 208 V | Breaker | 17.3 | 27 | 30 | --- | --- | --- | --- | --- |
| HKSC08XC- 208 V | | 28.9 | 42 | 45 | --- | --- | --- | --- | --- |
| HKSC10XC- 208 V | | 34.7 | 49 | 50 | --- | --- | --- | --- | --- |
| HKSC15XA- 208 V | | 34.7 | 49 | 50 | 17.3 | 22 | 25 | 71 | 80 |
| HKSC19CA- 208 V | | 34.7 | 49 | 50 | 34.7 | 43 | 45 | 92 | 100 |
| HKSC15XF- 208 V ^ | | 0 | 5.6 | 15 | 30 | 38 | 40 | --- | --- |
| HKSX03XC- 240 V | No Breaker | 12.5 | 21 | 25 | --- | --- | --- | --- | --- |
| HKSX05XC- 240 V | | 20 | 31 | 35 | --- | --- | --- | --- | --- |
| HKSX06XC- 240 V | | 25 | 37 | 40 | --- | --- | --- | --- | --- |
| HKSX08XC- 240 V | | 33.3 | 47 | 50 | --- | --- | --- | --- | --- |
| HKSX10XC- 240 V | | 40 | 56 | 60 | --- | --- | --- | --- | --- |
| HKSC05XC- 240 V | Breaker | 20 | 31 | 35 | --- | --- | --- | --- | --- |
| HKSC08XC- 240 V | | 33.3 | 47 | 50 | --- | --- | --- | --- | --- |
| HKSC10XC- 240 V | | 40 | 56 | 60 | --- | --- | --- | --- | --- |
| HKSC15XB- 240 V | | 40 | 56 | 60 | 20 | 25 | 25 | 81 | 90 |
| HKSC19CB- 240 V | | 40 | 56 | 60 | 40 | 50 | 50 | 106 | 110 |
| HKSC15XF- 240 V ^ | | 0 | 5.6 | 15 | 34.6 | 43 | 45 | --- | --- |
| ASPT39C14BA | | 0.0/0.0 | 4.9/4.9 | 15/15 | --- | --- | --- | --- | --- |
| HKSX03XC- 208 V | No Breaker | 10.8 | 18.4 | 20 | --- | --- | --- | --- | --- |
| HKSX05XC- 208 V | | 17.3 | 27 | 30 | --- | --- | --- | --- | --- |
| HKSX06XC- 208 V | | 21.7 | 32 | 35 | --- | --- | --- | --- | --- |
| HKSX08XC- 208 V | | 28.9 | 41 | 45 | --- | --- | --- | --- | --- |
| HKSX10XC- 208 V | | 34.7 | 48 | 50 | --- | --- | --- | --- | --- |
| HKSC05XC- 208 V | Breaker | 17.3 | 27 | 30 | --- | --- | --- | --- | --- |
| HKSC08XC- 208 V | | 28.9 | 41 | 45 | --- | --- | --- | --- | --- |
| HKSC10XC- 208 V | | 34.7 | 48 | 50 | --- | --- | --- | --- | --- |
| HKSC15XB ³ - 208 V | | 34.7 | 48.2 | 50 | 17.3 | 21.7 | 25 | 69.9 | 70 |
| HKSC19CH- 208 V | | 34.7 | 48.2 | 50 | 34.7 | 43.3 | 45 | 91.5 | 100 |
| HKSC15XF- 208 V ^ | | 0 | 4.9 | 15 | 30 | 37.5 | 40 | --- | --- |
| HKSX03XC- 240 V | No Breaker | 12.5 | 21 | 25 | --- | --- | --- | --- | --- |
| HKSX05XC- 240 V | | 20 | 29.9 | 30 | --- | --- | --- | --- | --- |
| HKSX06XC- 240 V | | 25 | 36.1 | 40 | --- | --- | --- | --- | --- |
| HKSX08XC- 240 V | | 33.3 | 46.5 | 50 | --- | --- | --- | --- | --- |
| HKSX10XC- 240 V | | 40 | 54.9 | 60 | --- | --- | --- | --- | --- |

See notes on page 14.

| HEATER KIT MODEL | | CIRCUIT 1 | | | CIRCUIT 2 | | | SINGLE-POINT KIT | |
|--------------------|------------|-------------|------------------|------------------|-------------|------------------|------------------|------------------|------------------|
| | | HEATER AMPS | MCA ¹ | MOP ² | HEATER AMPS | MCA ¹ | MOP ² | MCA ¹ | MOP ² |
| HKSC05XC- 240 V | Breaker | 20 | 29.9 | 30 | --- | --- | --- | --- | --- |
| HKSC08XC- 240 V | | 33.3 | 46.5 | 50 | --- | --- | --- | --- | --- |
| HKSC10XC- 240 V | | 40 | 54.9 | 60 | --- | --- | --- | --- | --- |
| HKSC15XB- 240 V | | 40 | 54.9 | 60 | 20 | 25 | 25 | 79.9 | 80 |
| HKSC19CB- 240 V | | 40 | 54.9 | 60 | 40 | 50 | 50 | 104.9 | 110 |
| HKSC15XF- 240 V ^ | | 0 | 4.9 | 15 | 34.6 | 43 | 45 | --- | --- |
| ASPT47C14BA | | 0/0 | 4.9/4.9 | 15/15 | --- | --- | --- | --- | --- |
| HKSX03XC- 208 V | No Breaker | 10.8 | 18.4 | 20 | --- | --- | --- | --- | --- |
| HKSX05XC- 208 V | | 17.3 | 27 | 30 | --- | --- | --- | --- | --- |
| HKSX06XC- 208 V | | 21.7 | 32 | 35 | --- | --- | --- | --- | --- |
| HKSX08XC- 208 V | | 28.9 | 41 | 45 | --- | --- | --- | --- | --- |
| HKSX10XC- 208 V | | 34.7 | 48 | 50 | --- | --- | --- | --- | --- |
| HKSC05XC- 208 V | Breaker | 17.3 | 27 | 30 | --- | --- | --- | --- | --- |
| HKSC08XC- 208 V | | 28.9 | 41 | 45 | --- | --- | --- | --- | --- |
| HKSC10XC- 208 V | | 34.7 | 48 | 50 | --- | --- | --- | --- | --- |
| HKSC15XA- 208 V | | 34.7 | 48.2 | 50 | 17.3 | 22 | 25 | 69.9 | 70 |
| HKSC19CA- 208 V | | 34.7 | 48.2 | 50 | 34.7 | 43.3 | 45 | 91.5 | 100 |
| HKSC15XF- 208 V ^ | 0 | 4.9 | 15 | 30 | 38 | 40 | --- | --- | |
| HKSX03XC- 240 V | No Breaker | 12.5 | 21 | 25 | --- | --- | --- | --- | --- |
| HKSX05XC- 240 V | | 20 | 29.9 | 30 | --- | --- | --- | --- | --- |
| HKSX06XC- 240 V | | 25 | 36.1 | 40 | --- | --- | --- | --- | --- |
| HKSX08XC- 240 V | | 33.3 | 46.5 | 50 | --- | --- | --- | --- | --- |
| HKSX10XC- 240 V | | 40 | 54.9 | 60 | --- | --- | --- | --- | --- |
| HKSC05XC- 240 V | Breaker | 20 | 29.9 | 30 | --- | --- | --- | --- | --- |
| HKSC08XC- 240 V | | 33.3 | 46.5 | 50 | --- | --- | --- | --- | --- |
| HKSC10XC- 240 V | | 40 | 54.9 | 60 | --- | --- | --- | --- | --- |
| HKSC15XB- 240 V | | 40 | 54.9 | 60 | 20 | 25 | 25 | 79.9 | 80 |
| HKSC19CB- 240 V | | 40 | 54.9 | 60 | 40 | 50 | 50 | 105 | 110 |
| HKSC15XF- 240 V ^ | | 0 | 4.9 | 15 | 34.6 | 43 | 45 | --- | --- |
| ASPT47D14AC | | 0/0 | 5.6/5.6 | 15/15 | --- | --- | --- | --- | --- |
| HKSX03XC- 208 V | No Breaker | 10.8 | 19 | 20 | --- | --- | --- | --- | --- |
| HKSX05XC- 208 V | | 17.3 | 27 | 30 | --- | --- | --- | --- | --- |
| HKSX06XC- 208 V | | 21.7 | 33 | 35 | --- | --- | --- | --- | --- |
| HKSX08XC- 208 V | | 28.9 | 42 | 45 | --- | --- | --- | --- | --- |
| HKSX10XC- 208 V | | 34.7 | 49 | 50 | --- | --- | --- | --- | --- |
| HKSC05XC- 208 V | Breaker | 17.3 | 27 | 30 | --- | --- | --- | --- | --- |
| HKSC08XC- 208 V | | 28.9 | 42 | 45 | --- | --- | --- | --- | --- |
| HKSC10XC- 208 V | | 34.7 | 49 | 50 | --- | --- | --- | --- | --- |
| HKSC15XA- 208 V | | 34.7 | 49 | 50 | 17.3 | 22 | 25 | 71 | 80 |
| HKSC20DA- 208 V | | 34.7 | 49 | 50 | 34.7 | 43 | 45 | 92 | 100 |
| HKSC15XF- 208 V ^ | | 0 | 5.6 | 15 | 30 | 38 | 40 | --- | --- |
| HKSC20XF- 208 V ^ | 0 | 5.6 | 15 | 37.5 | 47 | 50 | --- | --- | |

See notes on page 14.

HEAT KIT DATA (CONT.)

| HEATER KIT MODEL | | CIRCUIT 1 | | | CIRCUIT 2 | | | SINGLE-POINT KIT | |
|-------------------------------|------------|-------------|------------------|------------------|-------------|------------------|------------------|------------------|------------------|
| | | HEATER AMPS | MCA ¹ | MOP ² | HEATER AMPS | MCA ¹ | MOP ² | MCA ¹ | MOP ² |
| HKSX03XC- 240 V | No Breaker | 12.5 | 21 | 25 | --- | --- | --- | --- | --- |
| HKSX05XC- 240 V | | 20 | 31 | 35 | --- | --- | --- | --- | --- |
| HKSX06XC- 240 V | | 25 | 37 | 40 | --- | --- | --- | --- | --- |
| HKSX08XC- 240 V | | 33.3 | 47 | 50 | --- | --- | --- | --- | --- |
| HKSX10XC- 240 V | | 40 | 56 | 60 | --- | --- | --- | --- | --- |
| HKSC05XC- 240 V | Breaker | 20 | 31 | 35 | --- | --- | --- | --- | --- |
| HKSC08XC- 240 V | | 33.3 | 47 | 50 | --- | --- | --- | --- | --- |
| HKSC10XC- 240 V | | 40 | 56 | 60 | --- | --- | --- | --- | --- |
| HKSC15XB- 240 V | | 40 | 56 | 60 | 20 | 25 | 25 | 81 | 90 |
| HKSC20DB- 240 V | | 40 | 56 | 60 | 40 | 50 | 50 | 106 | 110 |
| HKSC15XF- 240 V ^ | | 0 | 5.6 | 15 | 34.6 | 43 | 45 | --- | --- |
| HKSC20XF- 240 V ^ | 0 | 5.6 | 15 | 43.3 | 54 | 60 | --- | --- | |
| ASPT49C14AC | | 0.0/0.0 | 7.1/7.1 | 15/15 | --- | --- | --- | --- | --- |
| HKSX03XC- 208 V | No Breaker | --- | --- | --- | --- | --- | --- | --- | --- |
| HKSX05XC- 208 V | | 17.3 | 28.8 | 30 | --- | --- | --- | --- | --- |
| HKSX06XC- 208 V | | 21.7 | 34.2 | 35 | --- | --- | --- | --- | --- |
| HKSX08XC- 208 V | | 28.9 | 43.2 | 45 | --- | --- | --- | --- | --- |
| HKSX10XC- 208 V | | 34.7 | 50.5 | 60 | --- | --- | --- | --- | --- |
| HKSC05XC- 208 V | Breaker | 17.3 | 28.8 | 30 | --- | --- | --- | --- | --- |
| HKSC08XC- 208 V | | 28.9 | 43.2 | 45 | --- | --- | --- | --- | --- |
| HKSC10XC- 208 V | | 34.7 | 50.5 | 60 | --- | --- | --- | --- | --- |
| HKSC15XB ³ - 208 V | | 34.7 | 50.5 | 60 | 17.3 | 21.7 | 25 | 72.1 | 80 |
| HKSC19CH- 208 V | | 34.7 | 50.5 | 60 | 34.7 | 43.3 | 45 | 93.8 | 100 |
| HKSC15XF- 208 V ^ | | 0 | 7.1 | 15 | 30 | 37.5 | 40 | --- | --- |
| HKSX03XC- 240 V | No Breaker | --- | --- | --- | --- | --- | --- | --- | --- |
| HKSX05XC- 240 V | | 20 | 32 | 35 | --- | --- | --- | --- | --- |
| HKSX06XC- 240 V | | 25 | 38 | 40 | --- | --- | --- | --- | --- |
| HKSX08XC- 240 V | | 33.3 | 49 | 50 | --- | --- | --- | --- | --- |
| HKSX10XC- 240 V | | 40 | 57 | 60 | --- | --- | --- | --- | --- |
| HKSC05XC- 240 V | Breaker | 20 | 32 | 35 | --- | --- | --- | --- | --- |
| HKSC08XC- 240 V | | 33.3 | 49 | 50 | --- | --- | --- | --- | --- |
| HKSC10XC- 240 V | | 40 | 57 | 60 | --- | --- | --- | --- | --- |
| HKSC15XB- 240 V | | 40 | 57 | 60 | 20 | 25 | 25 | 82 | 90 |
| HKSC19CB- 240 V | | 40 | 57 | 60 | 40 | 50 | 50 | 107 | 110 |
| HKSC15XF- 240 V ^ | | 0 | 7.1 | 15 | 34.6 | 43 | 45 | --- | --- |
| ASPT49D14AC | | 0/0 | 8.6/8.6 | 15/15 | --- | --- | --- | --- | --- |
| HKSX03XC- 208 V | No Breaker | 10.8 | 22 | 25 | --- | --- | --- | --- | --- |
| HKSX05XC- 208 V | | 17.3 | 30.3 | 35 | --- | --- | --- | --- | --- |
| HKSX06XC- 208 V | | 21.7 | 36 | 40 | --- | --- | --- | --- | --- |
| HKSX08XC- 208 V | | 28.9 | 45 | 45 | --- | --- | --- | --- | --- |
| HKSX10XC- 208 V | | 34.7 | 52 | 60 | --- | --- | --- | --- | --- |

See notes on page 14.

| HEATER KIT MODEL | | CIRCUIT 1 | | | CIRCUIT 2 | | | SINGLE-POINT KIT | |
|-------------------------------|------------|-------------|------------------|------------------|-------------|------------------|------------------|------------------|------------------|
| | | HEATER AMPS | MCA ¹ | MOP ² | HEATER AMPS | MCA ¹ | MOP ² | MCA ¹ | MOP ² |
| HKSC05XC- 208 V | Breaker | 17.3 | 30.3 | 35 | --- | --- | --- | --- | --- |
| HKSC08XC- 208 V | | 28.9 | 45 | 45 | --- | --- | --- | --- | --- |
| HKSC10XC- 208 V | | 34.7 | 52 | 60 | --- | --- | --- | --- | --- |
| HKSC15XB ³ - 208 V | | 34.7 | 52 | 60 | 17.3 | 22 | 25 | 74 | 80 |
| HKSC20DH- 208 V | | 34.7 | 52 | 60 | 34.7 | 43 | 45 | 95 | 100 |
| HKSC15XF- 208 V ^ | | 0 | 8.6 | 15 | 30 | 38 | 40 | --- | --- |
| HKSC20XF- 208 V ^ | | 0 | 8.6 | 15 | 37.5 | 47 | 50 | --- | --- |
| HKSC25DA- 208 V | | 52 | 74 | 80 | 35 | 43 | 45 | 117 | 125 |
| HKSX03XC- 240 V | No Breaker | 12.5 | 24 | 25 | --- | --- | --- | --- | --- |
| HKSX05XC- 240 V | | 20 | 34 | 35 | --- | --- | --- | --- | --- |
| HKSX06XC- 240 V | | 25 | 40 | 40 | --- | --- | --- | --- | --- |
| HKSX08XC- 240 V | | 33.3 | 50.3 | 60 | --- | --- | --- | --- | --- |
| HKSX10XC- 240 V | | 40 | 59 | 60 | --- | --- | --- | --- | --- |
| HKSC05XC- 240 V | Breaker | 20 | 34 | 35 | --- | --- | --- | --- | --- |
| HKSC08XC- 240 V | | 33.3 | 50.3 | 60 | --- | --- | --- | --- | --- |
| HKSC10XC- 240 V | | 40 | 59 | 60 | --- | --- | --- | --- | --- |
| HKSC15XB- 240 V | | 40 | 59 | 60 | 20 | 25 | 25 | 84 | 90 |
| HKSC20DB- 240 V | | 40 | 59 | 60 | 40 | 50 | 50 | 109 | 110 |
| HKSC15XF- 240 V ^ | | 0 | 8.6 | 15 | 34.6 | 43 | 45 | --- | --- |
| HKSC20XF- 240 V ^ | | 0 | 8.6 | 15 | 43.3 | 54 | 60 | --- | --- |
| HKSC25DB- 240 V | | 60 | 84 | 90 | 40 | 50 | 50 | 134 | 150 |
| ASPT59C14AC | | 0.0/0.0 | 7.9/7.9 | 15/15 | --- | --- | --- | --- | --- |
| HKSX03XC- 208 V | No Breaker | 10.8 | 21 | 25 | --- | --- | --- | --- | --- |
| HKSX05XC- 208 V | | 17.3 | 30 | 30 | --- | --- | --- | --- | --- |
| HKSX06XC- 208 V | | 21.7 | 35 | 35 | --- | --- | --- | --- | --- |
| HKSX08XC- 208 V | | 28.9 | 44 | 45 | --- | --- | --- | --- | --- |
| HKSX10XC- 208 V | | 34.7 | 51 | 60 | --- | --- | --- | --- | --- |
| HKSC05XC- 208 V | Breaker | 17.3 | 30 | 30 | --- | --- | --- | --- | --- |
| HKSC08XC- 208 V | | 28.9 | 44 | 45 | --- | --- | --- | --- | --- |
| HKSC10XC- 208 V | | 34.7 | 51 | 60 | --- | --- | --- | --- | --- |
| HKSC15XB ³ - 208 V | | 34.7 | 51 | 60 | 17.3 | 22 | 25 | 73 | 80 |
| HKSC19CH- 208 V | | 34.7 | 51 | 60 | 34.7 | 43 | 45 | 95 | 100 |
| HKSC15XF- 208 V ^ | 0 | 7.9 | 15 | 30 | 38 | 40 | --- | --- | |
| HKSX03XC- 240 V | No Breaker | 12.5 | 24 | 25 | --- | --- | --- | --- | --- |
| HKSX05XC- 240 V | | 20 | 33 | 35 | --- | --- | --- | --- | --- |
| HKSX06XC- 240 V | | 25 | 39 | 40 | --- | --- | --- | --- | --- |
| HKSX08XC- 240 V | | 33.3 | 50 | 50 | --- | --- | --- | --- | --- |
| HKSX10XC- 240 V | | 40 | 58 | 60 | --- | --- | --- | --- | --- |
| HKSC05XC- 240 V | Breaker | 20 | 33 | 35 | --- | --- | --- | --- | --- |
| HKSC08XC- 240 V | | 33.3 | 50 | 50 | --- | --- | --- | --- | --- |
| HKSC10XC- 240 V | | 40 | 58 | 60 | --- | --- | --- | --- | --- |
| HKSC15XB- 240 V | | 40 | 58 | 60 | 20 | 25 | 25 | 83 | 90 |
| HKSC19CB- 240 V | | 40 | 58 | 60 | 40 | 50 | 50 | 108 | 110 |
| HKSC15XF- 240 V ^ | | 0.0 | 7.9 | 15 | 34.6 | 43 | 45 | --- | --- |

See notes on page 14.

HEAT KIT DATA (CONT.)

| HEATER KIT MODEL | | CIRCUIT 1 | | | CIRCUIT 2 | | | SINGLE-POINT KIT | |
|-------------------------------|------------|-------------|------------------|------------------|-------------|------------------|------------------|------------------|------------------|
| | | HEATER AMPS | MCA ¹ | MOP ² | HEATER AMPS | MCA ¹ | MOP ² | MCA ¹ | MOP ² |
| ASPT61D14AC | | 0/0 | 8.6/8.6 | 15/15 | --- | --- | --- | --- | --- |
| HKSX03XC- 208 V | No Breaker | 10.8 | 22 | 25 | --- | --- | --- | --- | --- |
| HKSX05XC- 208 V | | 17.3 | 30.3 | 35 | --- | --- | --- | --- | --- |
| HKSX06XC- 208 V | | 21.7 | 36 | 40 | --- | --- | --- | --- | --- |
| HKSX08XC- 208 V | | 28.9 | 45 | 45 | --- | --- | --- | --- | --- |
| HKSX10XC- 208 V | | 34.7 | 52 | 60 | --- | --- | --- | --- | --- |
| HKSC05XC- 208 V | Breaker | 17.3 | 30.3 | 35 | --- | --- | --- | --- | --- |
| HKSC08XC- 208 V | | 28.9 | 45 | 45 | --- | --- | --- | --- | --- |
| HKSC10XC- 208 V | | 34.7 | 52 | 60 | --- | --- | --- | --- | --- |
| HKSC15XB ³ - 208 V | | 34.7 | 52 | 60 | 17.3 | 22 | 25 | 74 | 80 |
| HKSC20DH- 208 V | | 34.7 | 52 | 60 | 34.7 | 43 | 45 | 95 | 100 |
| HKSC15XF- 208 V ^ | | 0 | 8.6 | 15 | 30 | 38 | 40 | --- | --- |
| HKSC20XF- 208 V ^ | | 0 | 8.6 | 15 | 37.5 | 47 | 50 | --- | --- |
| HKSC25DA- 208 V | | 52 | 74 | 80 | 35 | 43 | 45 | 117 | 125 |
| HKSX03XC- 240 V | No Breaker | 12.5 | 24 | 25 | --- | --- | --- | --- | --- |
| HKSX05XC- 240 V | | 20 | 34 | 35 | --- | --- | --- | --- | --- |
| HKSX06XC- 240 V | | 25 | 40 | 40 | --- | --- | --- | --- | --- |
| HKSX08XC- 240 V | | 33.3 | 50.3 | 60 | --- | --- | --- | --- | --- |
| HKSX10XC- 240 V | | 40 | 59 | 60 | --- | --- | --- | --- | --- |
| HKSC05XC- 240 V | Breaker | 20 | 34 | 35 | --- | --- | --- | --- | --- |
| HKSC08XC- 240 V | | 33.3 | 50.3 | 60 | --- | --- | --- | --- | --- |
| HKSC10XC- 240 V | | 40 | 59 | 60 | --- | --- | --- | --- | --- |
| HKSC15XB- 240 V | | 40 | 59 | 60 | 20 | 25 | 25 | 84 | 90 |
| HKSC20DB- 240 V | | 40 | 59 | 60 | 40 | 50 | 50 | 109 | 110 |
| HKSC15XF- 240 V ^ | | 0 | 8.6 | 15 | 34.6 | 43 | 45 | --- | --- |
| HKSC20XF- 240 V ^ | | 0 | 8.6 | 15 | 43.3 | 54 | 60 | --- | --- |
| HKSC25DB- 240 V | | 60 | 84 | 90 | 40 | 50 | 50 | 134 | 150 |

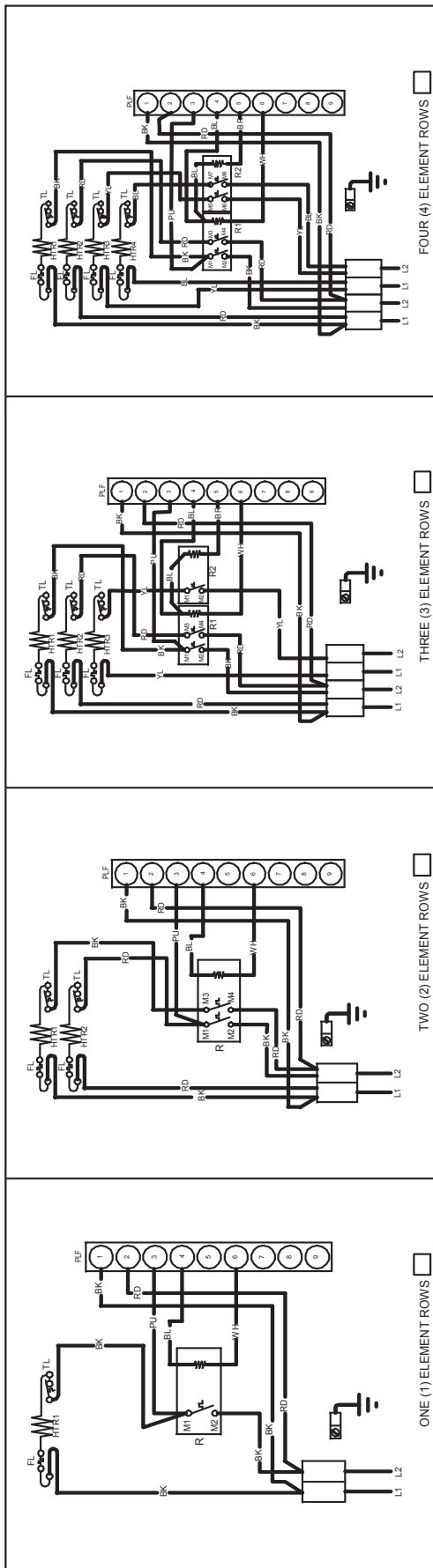
¹ Minimum Circuit Ampacity (Heater Amps + Motor Amps) X 1.25
² Maximum Overcurrent Protection = 2.25 X Motor Amps + Heater Amps
[^] Circuit 1: Single-phase for Air Handlers Circuit 2: Three-phase for HKR3 Heater Kits
 --- indicates Not Required

Note: The 208 or 240 in the heat kit part number field is for clarification of the nominal voltage for this model.
³ Notation is correct as XB because technically the 240V heater kit application can be used here without any issues.

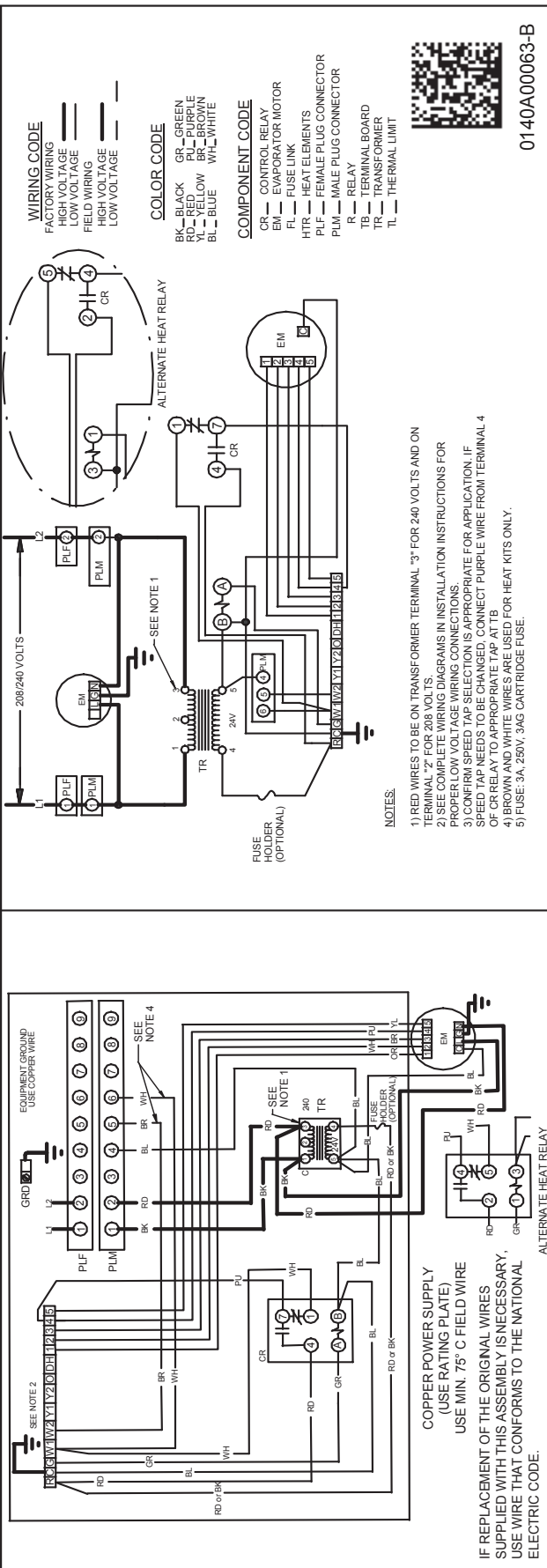
HEATING kW CORRECTION FACTOR

| SUPPLY VOLTAGE | 240 | 230 | 220 | 210 | 208 |
|-------------------|------|------|------|------|------|
| CORRECTION FACTOR | 1.00 | 0.92 | 0.84 | 0.77 | 0.75 |

Multiply the 240-volt heating capacity by correction factors.



NOTE: WHEN INSTALLING HEATER KIT, ENSURE SPEED TAP DOES NOT EXCEED MINIMUM BLOWER SPEED (MBS) SPECIFIED FOR THE AIRHANDLER/HEATER KIT COMBINATION ON THIS UNIT'S S&R PLATE. AFTER INSTALLING OPTIONAL HEAT KIT, MARK A "X" IN THE BOX PROVIDED ABOVE. MARK ACCORDING TO NUMBER OF HEATER ELEMENT ROWS INSTALLED. NO MARK INDICATES NO HEAT KIT INSTALLED.



0140A00063-B

WARNING

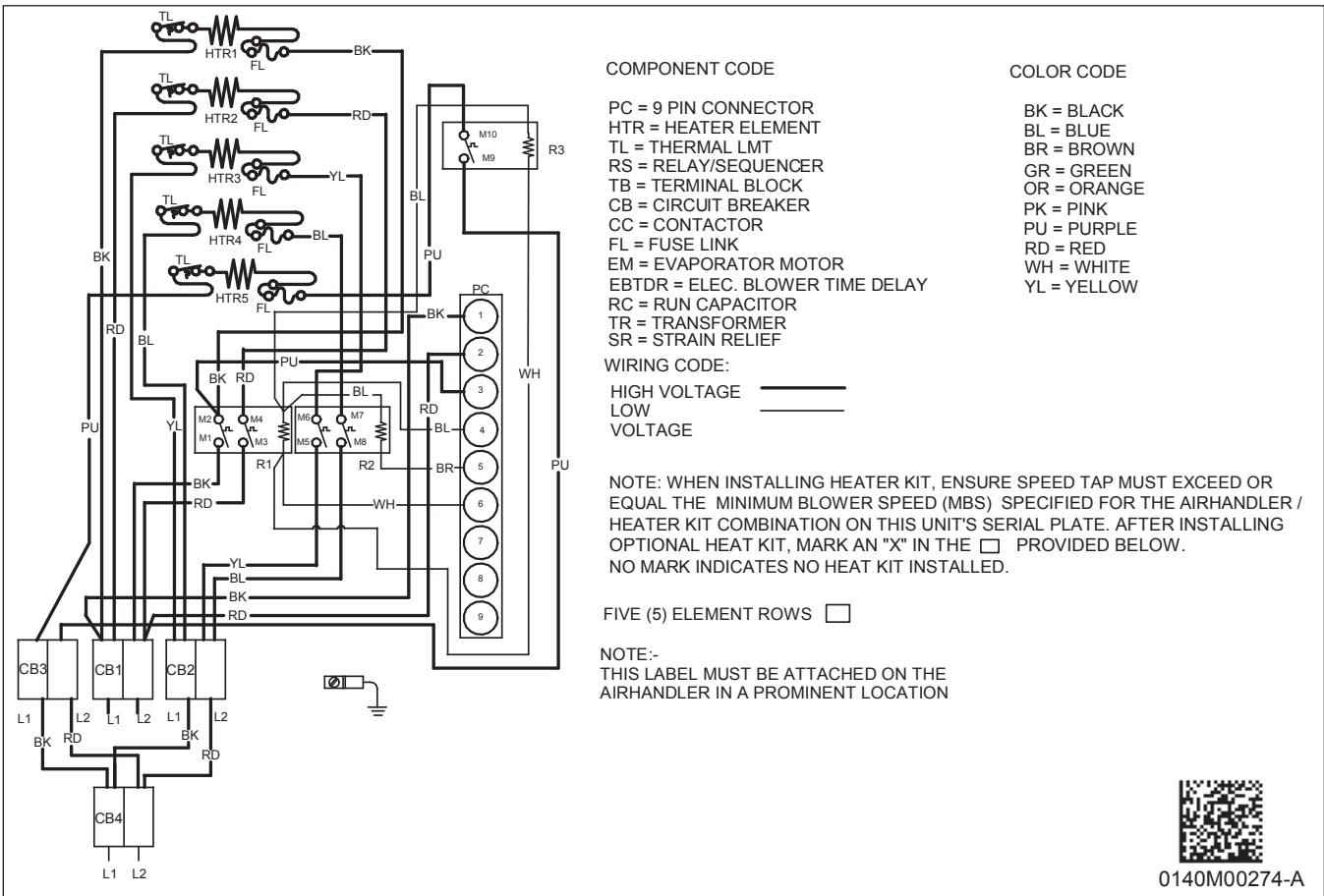
⚡

High Voltage: Disconnect all power before servicing or installing this unit. Multiple power sources may be present. Failure to do so may cause property damage, personal injury, or death.



Wiring is subject to change. Always refer to the wiring diagram on the unit for the most up-to-date wiring.

NOTE: The five element, 25 kW heater kit is not SHOWN ABOVE.

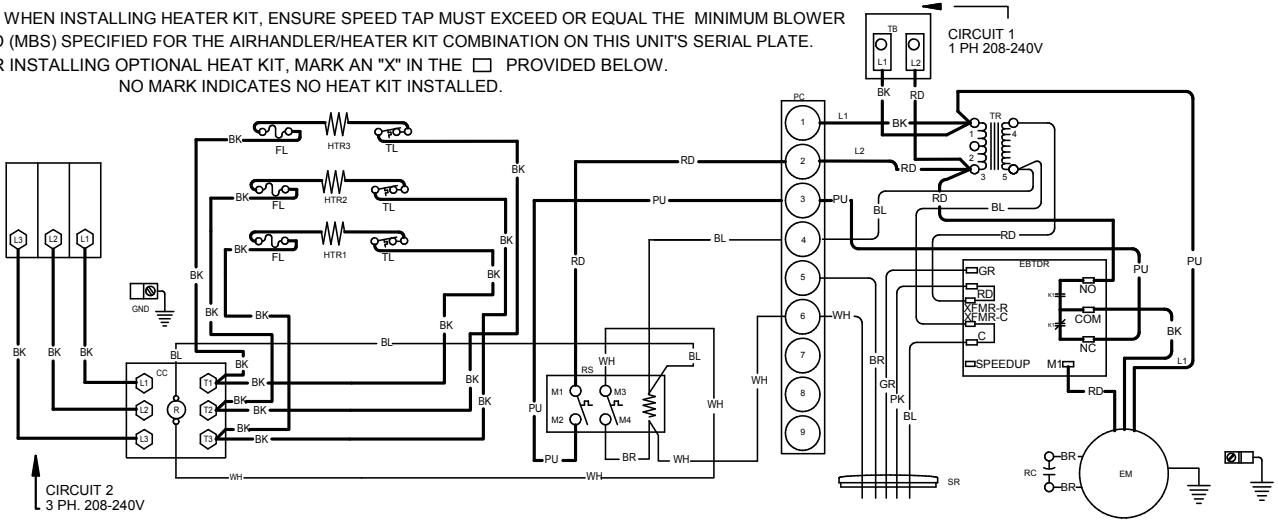
FIVE-ELEMENT HEATER KIT WIRING DIAGRAM



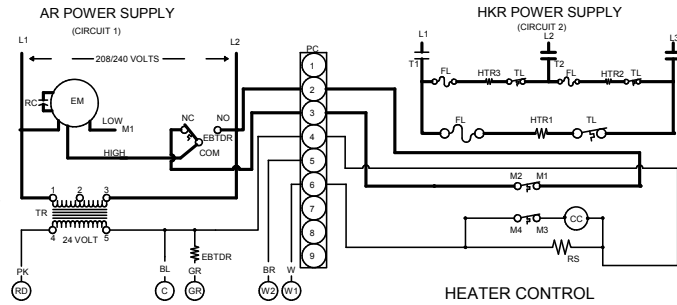
Wiring is subject to change. Always refer to the wiring diagram on the unit for the most up-to-date wiring.

| | |
|--|---|
|  WARNING | High Voltage: Disconnect all power before servicing or installing this unit. Multiple power sources may be present. Failure to do so may cause property damage, personal injury, or death.  |
|--|---|

NOTE: WHEN INSTALLING HEATER KIT, ENSURE SPEED TAP MUST EXCEED OR EQUAL THE MINIMUM BLOWER SPEED (MBS) SPECIFIED FOR THE AIRHANDLER/HEATER KIT COMBINATION ON THIS UNIT'S SERIAL PLATE. AFTER INSTALLING OPTIONAL HEAT KIT, MARK AN "X" IN THE PROVIDED BELOW. NO MARK INDICATES NO HEAT KIT INSTALLED.



NOTE:- THIS LABEL MUST BE ATTACHED ON THE AIRHANDLER IN A PROMINENT LOCATION



| COMPONENT CODE | | COLOR CODE | |
|----------------|-------------------------------|------------|--------|
| HTR | HEAT ELEMENT | BK | BLACK |
| EM | EVAPORATOR MOTOR | BL | BLUE |
| EBTDR | ELEC. BLOWER TIME DELAY RELAY | BR | BROWN |
| RS | RELAY/SEQUENCER | GR | GREEN |
| TL | THERMAL LIMIT | OR | ORANGE |
| TR | TRANSFORMER | PK | PINK |
| TB | TERMINAL BLOCK | PU | PURPLE |
| CC | CONTACTOR | RD | RED |
| PC | 9-PIN CONNECTOR | WH | WHITE |
| SR | STRAIN RELIEF | YL | YELLOW |
| FL | FUSE LINK | | |
| CB | CIRCUIT BREAKER | | |

| WIRING CODE | |
|--------------|-------|
| HIGH VOLTAGE | ===== |
| LOW VOLTAGE | ————— |



Wiring is subject to change. Always refer to the wiring diagram on the unit for the most up-to-date wiring.

| | | |
|---|--|--|
| <b style="font-size: 1.2em; font-weight: bold;">WARNING | <p>High Voltage: Disconnect all power before servicing or installing this unit. Multiple power sources may be present. Failure to do so may cause property damage, personal injury, or death.</p> | |
|---|--|--|

DOWNFLOW INSULATION KIT

| DFK-B | DFK-C | DFK-D |
|-------------|-------------|-------------|
| ASPT24B14** | ASPT42C14** | ASPT42D14** |
| ASPT35B14** | ASPT48C14** | ASPT48D14** |
| | | ASPT60D14** |
| | | ASPT61D14** |

FILTERS

| CHASSIS | PART # | SIZE |
|---------|--------------|---------------|
| B | ALFH16201E | 16.0" x 20.0" |
| C | ALFH1912201E | 19.5" x 20.0" |
| D | ALFH20231E | 23.0" x 20.0" |